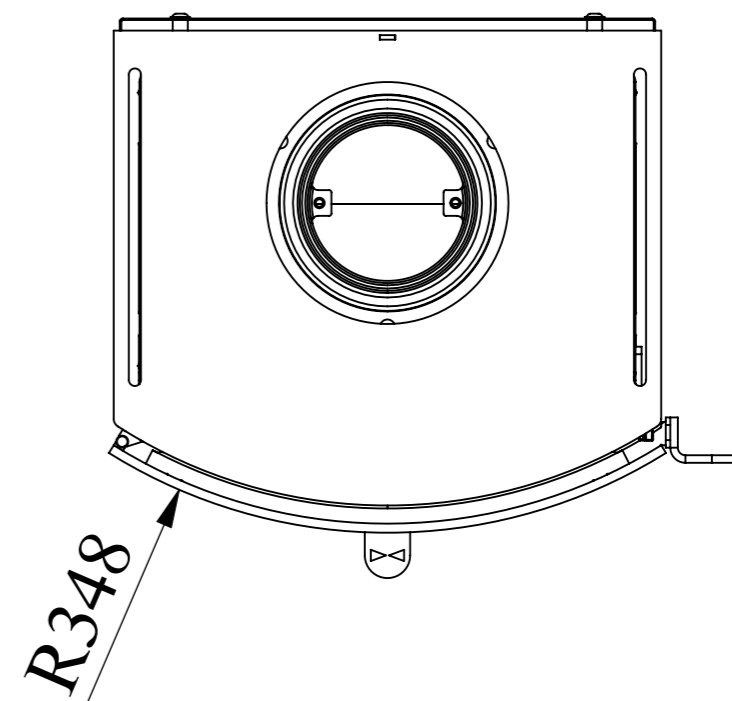
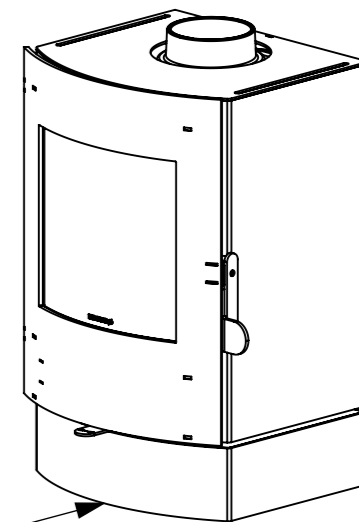


TRUE R330



Date of print: 10-08-2016

Rev. Revisions		Sign.:	Date:
Title:		Construction:	KDU 2011.07.01
Målskitse S11-40 EN		Released:	
Dimensional sketch S11-40 EN		Format:	A3
Material:		Scale:	1:5
Weight kg:		Itemno.:	
Model no. -		Drawing no.:	
Drawingtype:		S-11-010 a	
Location of file: U:\udv\Tegninger\S11\S11 Fireplace Assembly.SLDASM			

This drawing is Morsø Jernstøberi A/S' property and must not be sold, lended or copied without any written authorization from the company.